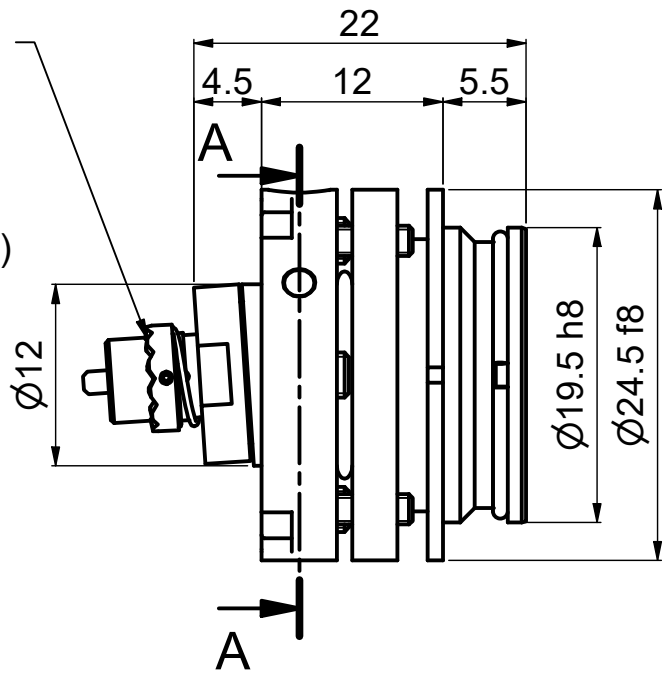
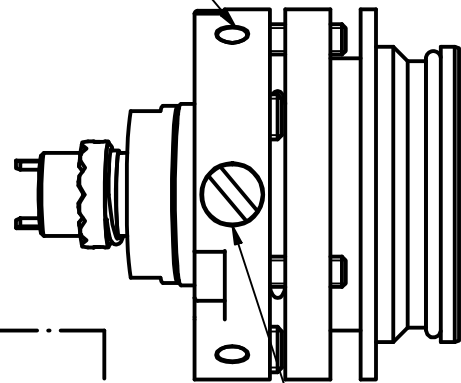


Fiber receptacle type  
Mini AVIM®  
with ratchet system using  
6.5mm torque wrench  
calibrated to 0.3 Nm and  
inclined coupling axis (APC)



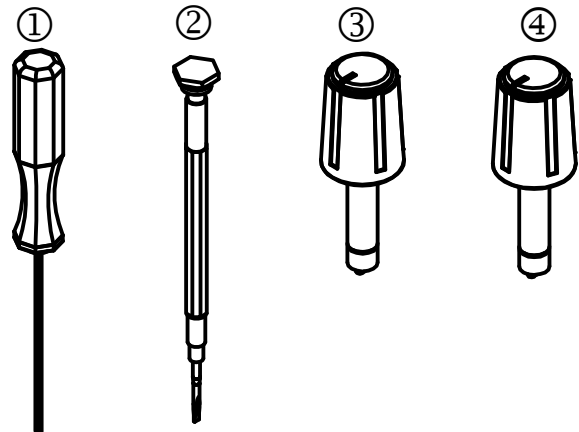
clamp screws for locking  
optics position (2x120°)  
using screw-driver size  
1.2mm 9D-12 ②



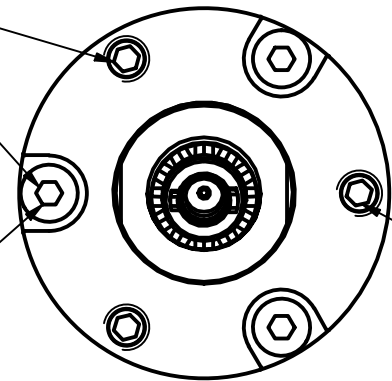
adjustment of focus setting  
using eccentric-key 60EX-x  
③ ④

Tools for assembly and adjustment

hex-key size 1.5mm 50HD-15	screw driver size 1.2mm 9D-12	eccentric-key 60EX-4 focal length ≤11mm	eccentric-key 60EX-5 focal length >11mm
----------------------------------	-------------------------------------	--	--



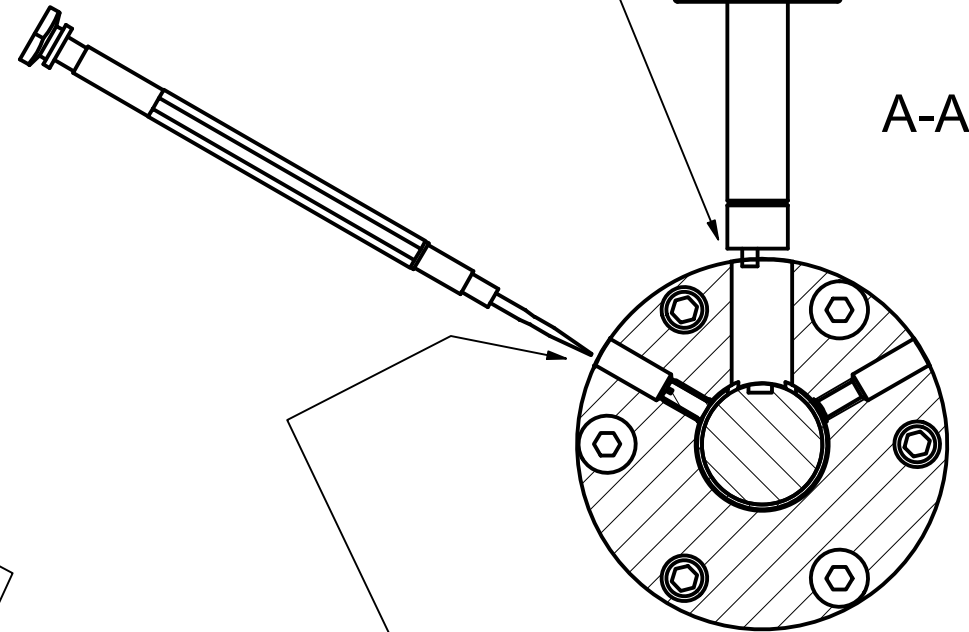
Thrust and tension screw (3x120°  
for tilt adjustment  
with hex key wrench size 1.5mm  
50HD-15 ①



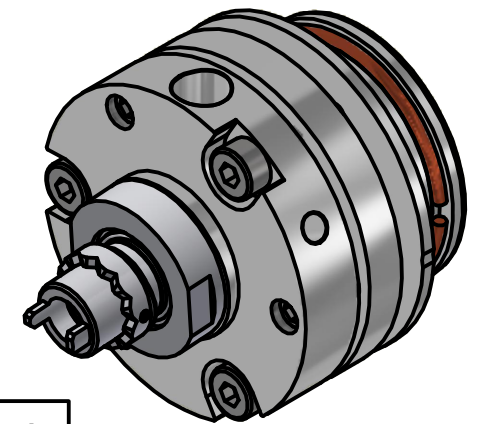
Thrust screw M3 max.torque 50Ncm

Tension screw M2 max.torque 40Ncm

adjustment of focus setting  
using eccentric-key 60EX-x  
③ ④



clamp screws  
for locking optics position (2x120°)  
using screw-driver size 1.2mm  
9D-12 ②



! Don't touch any other screws !

Dimensions DIN EN ISO 14405					Scale: 2:1	
60SMS-MAV-4-00						
Laser Beam Coupler 60SMS-MAV with Mini AVIM APC receptacle, Ti						
Customer Drawing						
Schäfter+Kirchhoff OPTICS, METROLOGY, AND PHOTONICS					0108-2000-5800	Size: A3
File: 010821190800.idw					Model: 010821190800.iam	Page: 1